



**BUILDING CODE COMPLIANCE OFFICE (BCCO)
PRODUCT CONTROL DIVISION**

**MIAMI-DADE COUNTY, FLORIDA
METRO-DADE FLAGLER BUILDING
140 WEST FLAGLER STREET, SUITE 1603
MIAMI, FLORIDA 33130-1563
(305) 375-2901 FAX (305) 375-2908**

NOTICE OF ACCEPTANCE (NOA)

**Ridged Systems, LLC.
151 NW 18 Ave
Delray Beach, FL. 33444**

SCOPE:

This NOA is being issued under the applicable rules and regulations governing the use of construction materials. The documentation submitted has been reviewed by Miami-Dade County Product Control Division and accepted by the Board of Rules and Appeals (BORA) to be used in Miami Dade County and other areas where allowed by the Authority Having Jurisdiction (AHJ).

This NOA shall not be valid after the expiration date stated below. The Miami-Dade County Product Control Division (In Miami Dade County) and/or the AHJ (in areas other than Miami Dade County) reserve the right to have this product or material tested for quality assurance purposes. If this product or material fails to perform in the accepted manner, the manufacturer will incur the expense of such testing and the AHJ may immediately revoke, modify, or suspend the use of such product or material within their jurisdiction. BORA reserves the right to revoke this acceptance, if it is determined by Miami-Dade County Product Control Division that this product or material fails to meet the requirements of the applicable building code.

This product is approved as described herein, and has been designed to comply with the Florida Building Code, including the High Velocity Hurricane Zone of the Florida Building Code.

DESCRIPTION: "Top Notch" Ridge Tile System

LABELING: Each unit shall bear a permanent label with the manufacturer's name or logo, city, state and following statement: "Miami-Dade County Product Control Approved", unless otherwise noted herein.

RENEWAL of this NOA shall be considered after a renewal application has been filed and there has been no change in the applicable building code negatively affecting the performance of this product.

TERMINATION of this NOA will occur after the expiration date or if there has been a revision or change in the materials, use, and/or manufacture of the product or process. Misuse of this NOA as an endorsement of any product, for sales, advertising or any other purposes shall automatically terminate this NOA. Failure to comply with any section of this NOA shall be cause for termination and removal of NOA.

ADVERTISEMENT: The NOA number preceded by the words Miami-Dade County, Florida, and followed by the expiration date may be displayed in advertising literature. If any portion of the NOA is displayed, then it shall be done in its entirety.

INSPECTION: A copy of this entire NOA shall be provided to the user by the manufacturer or its distributors and shall be available for inspection at the job site at the request of the Building Official.

This NOA consists of pages 1 through 4.

The submitted documentation was reviewed by Alex Tigera.



**NOA No.: 07-1105.07
Expiration Date: 07/24/13
Approval Date: 07/24/08**

ROOFING COMPONENT APPROVAL

Category: Roofing
Sub-Category: Other
Materials: Extruded Plastic

1. SCOPE

This approves the "Top Notch" Ridge Tile System as manufactured by Ridged Systems, LLC. described in Section 2 of this Notice of Acceptance.

2. PRODUCT DESCRIPTION

<u>Product</u>	<u>Dimensions</u>	<u>Test Specifications</u>	<u>Product Description</u>
"Top Notch" Ridge Tile System	Length = 10' Width = 2-3/8" Height = 4"	TAS 101	Ridge tile structural support Roofing Accessory.

3. EVIDENCE SUBMITTED:

<u>Test Agency</u>	<u>Test Identifier</u>	<u>Test Name/Report</u>	<u>Date</u>
PRI Construction Materials	TGRI-001-02-01	TAS 101	10/30/06
PRI Construction Materials	TGRI-001-02-02	TAS 101	10/30/06
PRI Construction Materials	TGRI-004-02-01	TAS 101	04/11/08
ETC Laboratories	ETC-08-718-20993.0	ASTM D 1929	05/12/08
ETC Laboratories	ETC-08-718-20993.0	ASTM D 2843	05/12/08
ETC Laboratories	ETC-08-718-20993.0	ASTM D 635	05/12/08

4. LIMITATIONS

- 4.1 Fire classification is not part of this acceptance; refer to a current Approved Roofing Materials Directory for fire ratings of this product.
- 4.2 This product is to be used as an alternate to the wood nailer set in an approved adhesive specified in RAS-118 section 3.11 Detail #2, RAS-119 section 3.12 Detail #2, and RAS-120 section 3.10 Detail #2.
- 4.3 All products listed herein shall have a quality assurance audit in accordance with the Florida Building Code and Rule 9B-72 of the Florida Administrative Code.



NOA No.: 07-1105.07
Expiration Date: 07/24/13
Approval Date: 07/24/08
Page 2 of 4

5. INSTALLATION

- 5.1 This product is to be installed as specified in RAS-118 section 3.11 Detail #2, RAS-119 section 3.12 Detail #2, and RAS-120 section 3.10 Detail #2 with a minimum continuous strip of PolyPro AH-160 adhesive at a rate of 32 grams/ft. creating a continuous 4" wide contact area against the hip or ridge section of the prepared roof deck. **See Detail A.**
- 5.2 Concrete or clay ridge tile shall be installed as specified in RAS-118 section 3.11 Detail #2, RAS-119 section 3.12 Detail #2, and RAS-120 section 3.10 Detail #2 with a minimum continuous strip of PolyPro AH-160 adhesive at a rate of 32 grams/ft. on top of the "Top Notch" Ridge Tile member creating a continuous 4" wide contact area to the cap tile. **See Detail A.**

6. LABELING

- 6.1 "Top Notch" Ridge Tile System shall be labeled with the Miami-Dade Product Control Approved Seal as seen below or the wording "Miami-Dade County Product Control Approved".



7. BUILDING PERMIT REQUIREMENTS

- 7.1 Application for building permit shall be accompanied by copies of the following:
 - 7.1.1 This Notice of Acceptance.
 - 7.1.2 Any other documents required by the Building Official or the applicable code in order to properly evaluate the installation of this component.

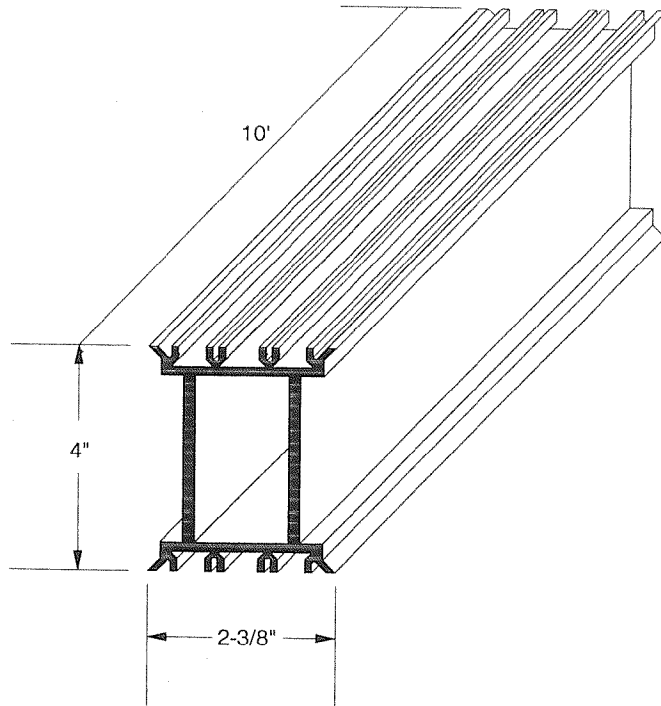
8. MANUFACTURING PLANTS

- 8.1 Struthers, OH

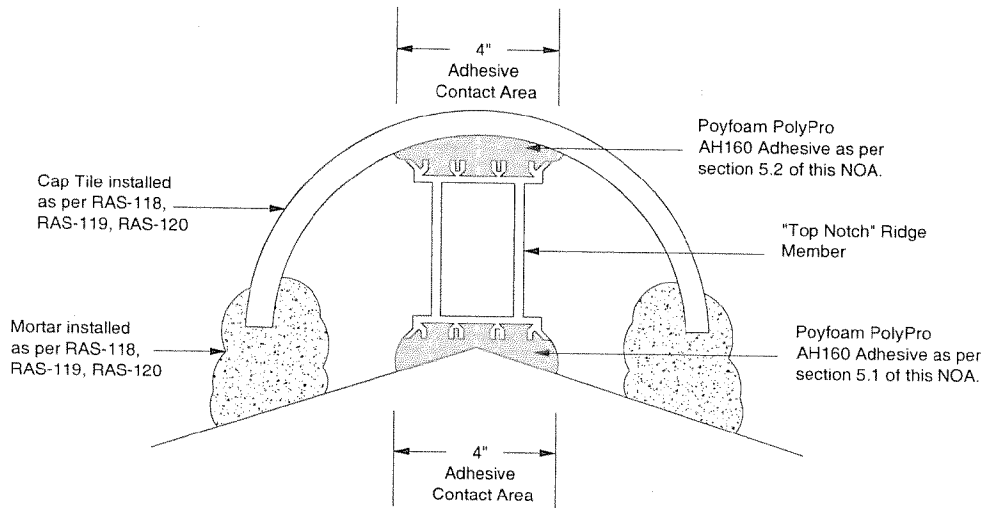


NOA No.: 07-1105.07
Expiration Date: 07/24/13
Approval Date: 07/24/08

DETAIL A



"TOP NOTCH" RIDGE TILE SYSTEM



END OF THIS ACCEPTANCE



NOA No.: 07-1105.07
 Expiration Date: 07/24/13
 Approval Date: 07/24/08
 Page 4 of 4